

MILES R600 (COD. E1882M0500)



Display laboris materia

Technical data

Temperature	+3°C +15°C
Voltage and Frequency	230 V~ 50 Hz
Gas	R600a
Net dimension	600 x 625 x 1872 mm (l x p x h)
Packed dimension	655 x 690 x 1930 mm (l x p x h)
Gross capacity	380 l
Net capacity	310 l
Gross weight	89 Kg
Net weight	86.7 Kg
Heat insulation	Rigid polyurethane foam "HCFC/CFC/HFC" free
External cabinet	White prepainted steel sheet
Cabinet back	Galvanized steel sheet
Inner tank	White thermoformed plastic with antibacterial
Door frame - colour	White prepainted aluminium
Glass	Double pane with low-emissivity treatment, for high insulation and anti-mist effect
Handle	Built in the door frame
Light tank	Horizontal upper light led
Control board cover	White plastic
Frontal grid - colour	Blue plastic
absorbed power	130 W
Power consumption (24h)	3,5 kWh/24h
Condensator	Static condensation system (fan assisted)
Evaporator	Roll bond (fan assisted)
Defrosting	Automatic
Climatic class	4 (30°C-55%UR)
Plug	European - Angular Plug
Thermometer/Thermostat	Digital electronic, green leds display, equipped with internal clock for real time data, 6 months back-up
Inner shelves	White plastified shelves - 10 removable - 1 gasket
Standard equipment	Lock - internal light (led) - feet - label holder
Optional	Wheels
Brand	MONDIAL
Producer	Mondial Framec

The manufacturer will reserve the right to make any modification without prior notice.

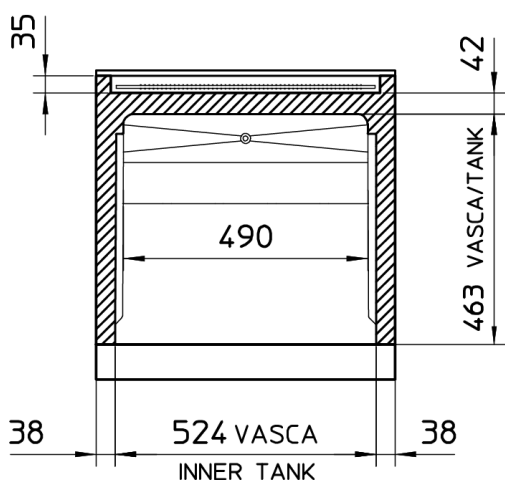
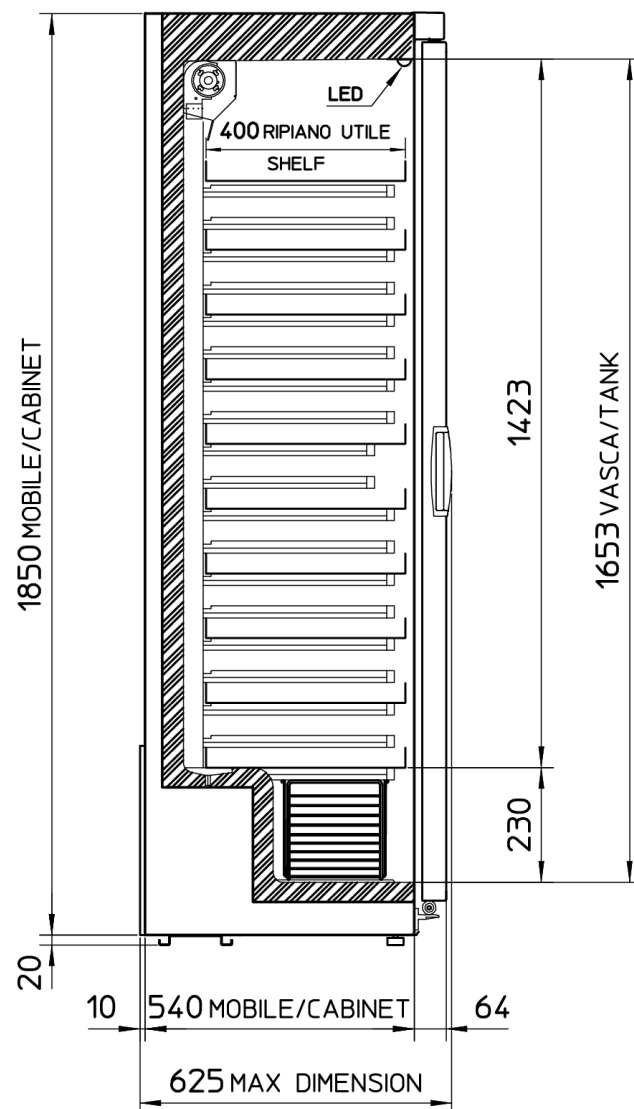
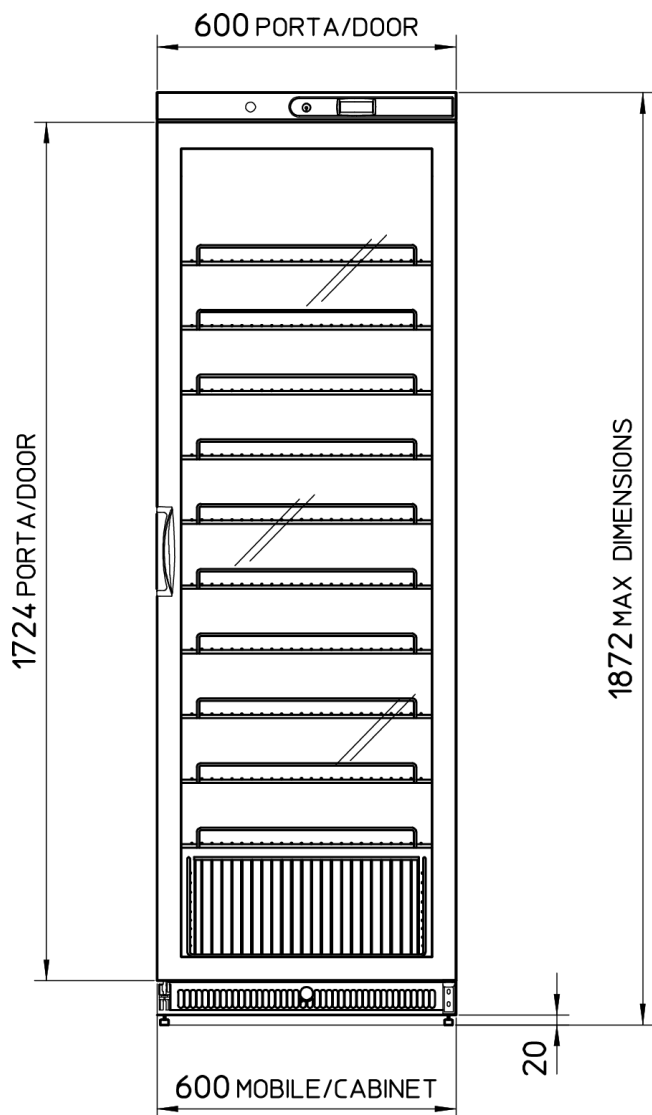
Updated on

MILES R600 (COD. E1882M0500)



Display laboris materia

Layout



MAX DIMENSION	mm	600x625x1872 h
GROSS CAPACITY	dmc	380
NET CAPACITY	dmc	310
DISPLAY SURFACE	mq	0.817
NET WEIGHT	kg	87
GROSS WEIGHT	Kg	89
PACKED DIMENSION	mm	655X690X1930 h

MILES
S_46419

Updated on

**MILES R600
(COD. E1882M0500)**



Display laboris materia

Spare parts list

Ref.	Description	Code
1	LED LAMP 4W L400 24V WIRE L3500	1112046
2	POWER SUPPLY LED 24V REF.APV-16-24	1171016
3	MICRO-SWITCH WHITE	1195009
4	LOCK GIUSSANI	5601083
7	FILTER XH9 ENTRY 5.2 OUT 2.75 GR10	3141047
8	ACC.SET EMC55CLT RSCR 220/240-50	1147563
9	COMP.EMBRACO EMC55CLT RSCR 220/240-50 R600	4108089
10	MOTOR FAN WITHOUT BRACKET 220-240 50/60	4022143
11	WIRE CONDENSER 42T STEP 25 ICE DV40	4112082
12	TRAY CONDENS.WATER BEV40	1721724
13	ROLLER HOLDER BRACKET BEV BLACK	5691011
14	FRONT GRID BLU	1721750
15	RIGHT LOWER HINGE BEV BLACK	5622077
16	NTC L=2000 DIGITAL THERMOSTAT PROBE PVC	1185052
17	DIGITAL THERMOSTAT	1188260
19	UPPER HINGE PIVOT M12X1.75 BEV	5601102
21	COMPLETE DOOR MILES (BE) WHITE/9010	8441025
22	LOWER HINGE BUSH D.19	1522302
24	GASKET 570X1695 (313)	4612069
25	RIGHT DOOR ROLLER PAINT BLACK	5691013
26	TORSION BAR RECOVER SET	9097812
27	FRONTAL TOP B40 FROSTLINE MED WHITE/9010	1744831
31	LEVELING FOOT M8X51 BEV	1721695
32	ROLL BOND HOLDER BEV WHITE	1721398
33	ROLL-BOND BEV/KIC GREEN EMOTION V2 WHITE/9003	4133043
34	FAN MOTOR COVER BEV WHITE	1721401
35	MOTOR FAN WITHOUT BRACKET 220-240 50/60	4022143
36	CABLE SUPPLY 3X1X2150	1021001
37	DAMPER FOR COMPRESSOR	1521149

* Price list without VAT. The prices of the accessories set are to be considered only if they are sold with the relevant compressors

The manufacturer will reserve the right to make any modification without prior notice.

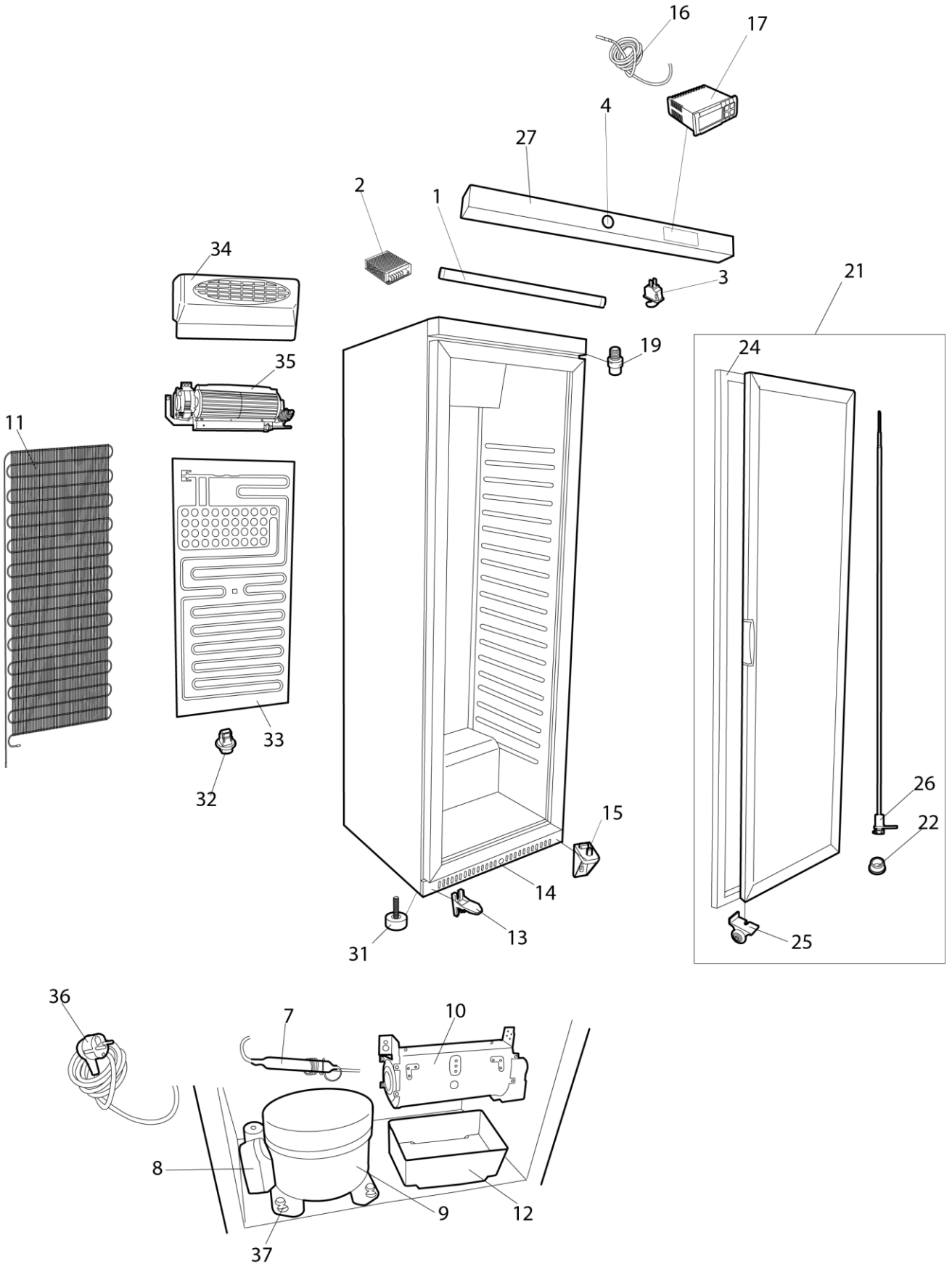
Updated on

MILES R600 (COD. E1882M0500)



Display laboris materia

Spare parts drawing



Updated on

MILES R600 (COD. E1882M0500)



Image

Display laboris materia



Updated on